

WHIZ 2.0

SPECIFICATION SHEET
STATIC WHITE

SLEEK AND ARCHITECTURAL
HIGH CEILING SOLUTION

Housing

Diameter : Ø16.2" | Height : 4.4" | Weight : 33 lbs

Material

Housing : High Pressure Die-Cast Aluminum
Lens : High transmittance clear tempered glass

Power Input

120W, 170W, 240W, 300W | 120V, 120-277V, 347-480V

Lumen Output

17,100 lm (120W), 24,200 lm (170W), 34,300 lm (240W), 41,900 lm (300W)

Dimming

Standard 0-10V : Dims to 10%
Superior 0-10V : Dims to 1%
TRC : Linear line-voltage phase control, dims to 1%
DMX : High resolution dims to 0.1%
DALI : Dims to 10%

Color Quality

CRI 75, CRI 85

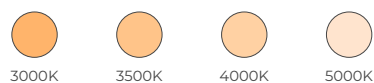
Rated Life

> 100,000 Hours (L70)

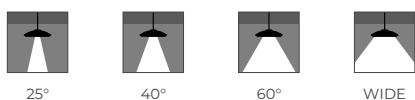
Finish



Color Temperature



Optics



Warranty

5 Year limited warranty

Listing



DesignLights Consortium™ Qualified Luminaires:

DLC QPL Product ID: S-VKGY5X

Not all product variations listed are DLC qualified.

To ensure that a specific model is qualified, visit www.designlights.org/search

Designed For The Ones Who Expect The Extraordinary.

The Whiz 2.0 redefines high ceiling design, with a High Bay look that is unlike any other. This architectural fixture is suitable for mounting heights of 30ft and above and delivers high performance as well as clean aesthetics.

The Whiz 2.0 can be configured for both direct and indirect lighting, is available in Wet Location listed ratings, as well as Archi-Color® color-changing technologies.



METEOR

meteor-lighting.com

SPECIFICATION

PROJECT NAME

DATE

CATALOG #

QUANTITY

The product configurator function on this page works only with the latest version of Chrome or Adobe Acrobat Reader.

<input type="text" value="WS2"/>	MODEL	WHIZ 2.0		
<input type="text"/>	WATTAGE	120 120W 300 300W	170 170W	240 240W
<input type="text"/>	CCT / CRI	308 3000K / CRI 85 507 5000K / CRI 75	358 3500K / CRI 85	408 4000K / CRI 85
<input type="text"/>	VOLTAGE	UNV 120-277V	HVT 347-480V	120 120V
<input type="text"/>	DIMMING	NOD Non-Dimming DMX DMX dims to 0.1% (XLR Sockets) DALI ² DALI dims to 10%	STV Standard 0-10V dims to 10% DMXR DMX dims to 0.1% (RJ45 Sockets)	SPV Superior 0-10V dims to 1% TRC ¹ Linear line-voltage phase control, dims to 1%
<input type="text"/>	BEAM ANGLE	25 25° WD ³ Wide (With diffuser)	40 40°	60 60°
<input type="text"/>	FINISH	BLK Black	WHT White	
<input type="text"/>	MOUNTING	ST2 Stem 2ft UP2 ⁴ Uplight Stem 2ft AUP4 ⁴ Adjustable Uplight 4ft	ST4 Stem 4ft UP4 ⁴ Uplight Stem 4ft	AD10 ⁴ Adjustable Cable 10ft AUP2 ⁴ Adjustable Uplight 2ft
<input type="text"/>	ACCESSORIES	OCC ⁵ Occupancy Sensor (Enlighted) WG ⁸ Wire Guard	EMP ⁶ Remote Emergency Pack SNT ⁹ Snoot	DF ⁷ Diffuser GSV ¹⁰ Glare Shield Visor

CLEAR FORM

¹ TRC is only compatible with 120V and not compatible with 170W, 240W, 300W
² DALI is not compatible with HVT
³ WD option reduces delivered lumens by ~20%
⁴ Option is not compatible with OCC
⁵ OCC is only compatible with NOD, and must be specified with WG. Not available with 300W. OCC sensor is a mesh network-controlled device
⁶ EMP is not compatible with HVT
⁷ DF option reduces delivered lumens by ~12% (~20% with WD)
⁸ WG option reduces delivered lumens by ~14%
⁹ SNT option reduces delivered lumens by ~30%
¹⁰ GSV option reduces delivered lumens by ~25%

TECHNICAL DETAILS

Electrical

- 17,100 lm (120W), 24,200 lm (170W), 34,300 lm (240W) 41,900 lm (300W)
- Power Input : 120V, 120-277V, 347-480V
- Operating Temperature : -40°F~112°F
- Surge Protection : Built-in is 4KV
- Emergency Pack with Mounting Plate : Philips Bodine BSL20B2UEK55C1I1
- Power Factor Greater than 0.9

LED Features

- Color Temperature : 3000K, 3500K, 4000K, 5000K
- CRI 75, CRI 85
- Long lasting LED luminaire tested under TM21 lumen maintenance L70 @ 100,000 Hrs
- Lumen Maintenance > 0.90 at 60,000 hours

Optics

- Beam Angle : 25°, 40°, 60°, WD (With diffuser)

Advanced Dimming

- Proprietary VX Driver™ is integrated across all dimming options, delivering video flicker-free performance and full compliance with IEEE 1789.
- Standard 0-10V: dims to 10%
- Superior 0-10V : Dims to 1%
- TRC : Linear line-voltage phase control, dims to 1% (120V only)
- DMX : High resolution dims to 0.1% (Supports ANSI E1.20 RDM protocol)
- DALI : dims to 10%

Housing

- Diameter : Ø16.24"
- Height : 4.4"
- Weight : 33 lbs
- Material : High Pressure Die-Cast Aluminum, Tempered Glass
- IK07

Mounting

- Stem Mount 2ft or 4ft
- Adjustable Cable 10ft
- Uplight Mount 2ft, 4ft
- Adjustable Uplight Mount 2ft, 4ft

Warranty

- 5-year limited warranty

Listing

- DLC Premium Listed
- ETL Damp Location Listed
- CE
- UKCA
- FCC

PERFORMANCE SUMMARY*

Delivered Lumens				
CCT/WATTAGE	3000K	3500K	4000K	5000K
120W	15,000lm	15,200lm	15,900lm	17,100lm
170W	21,250lm	21,550lm	22,600lm	24,200lm
240W	30,000lm	30,400lm	31,920lm	34,300lm
300W	38,300lm	37,160lm	39,000lm	41,900lm

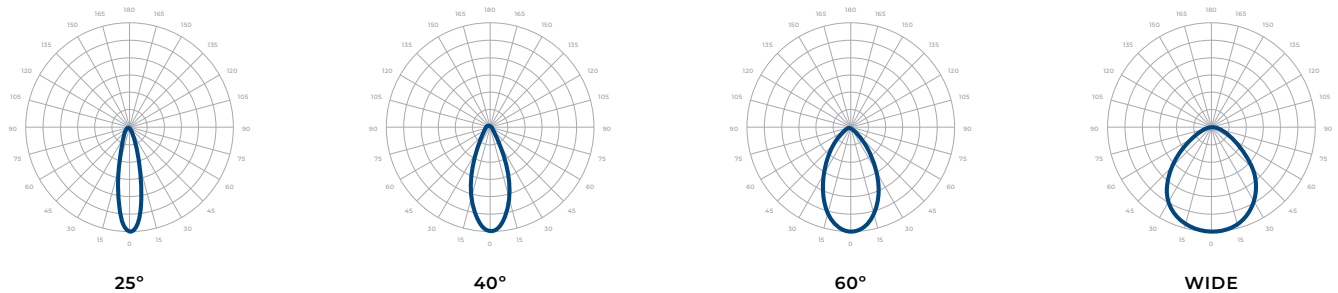
Current Consumption				
WATTAGE / VOLT	120V	277V	347V	480V
120W	1.1A	0.48A	0.38A	0.28A
170W	1.56A	0.68A	0.54A	0.39A
240W	2.02A	0.87A	0.76A	0.55A
300W	2.75A	1.19A	0.95A	0.69A

*Beam Angle: 40° *Tolerance ±8%

Emergency Pack Lumen Output Table				
CCT	3000K	3500K	4000K	5000K
LUMEN	1,900lm	1,920lm	1,980lm	2,360lm

PHOTOMETRICS

Below is a typical photometric representation of the Whiz 2.0 fixture. Please download IES files to ensure exact photometric value.

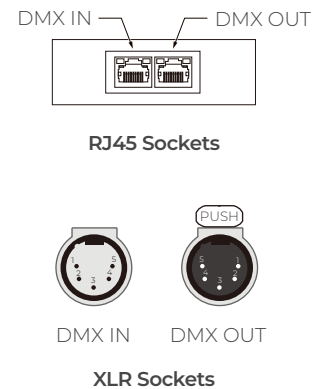


DMX REQUIREMENTS

The Whiz 2.0 fixture with DMX is a **single channel dmx** unit. When placing an order, please indicate DMX address. (The DMX address will be listed on the back of the fixture). Do not connect more than 32 fixtures per DMX daisy chain.

The fixture can be connected with RJ45 or XLR sockets. DMX cables **are not** included; please refer to compatible DMX cabling list for more information. The final fixture on each daisy chain should be terminated by the use of a DMX terminator purchased from a 3rd party or from Meteor.

CONNECTION	RJ45 (CAT5e)	5-PIN XLR
Common	WHITE/BROWN(PIN7) & BROWN (PIN 8)	PIN 1
Signal -	ORANGE (PIN 2)	PIN 2
Signal +	WHITE/ORANGE (PIN 1)	PIN 3
Spare	-	PIN 4
Spare	-	PIN 5



COMPATIBLE DMX CABLING LIST

DMX uses a cable consisting of two twisted pairs plus a shield to carry data. The cable must be specifically impedance matched for the digital DMX signal, meaning that microphone cable or other non-rated cable **must not be used to carry DMX**. Network cable (Cat5, 5e or 6 cable) may be used to carry DMX in an installation; however special consideration must be given to shielding and termination. Under no circumstances should solid core cable like Cat5 be terminated into a screw down connector.

Meteor recommends the use of Belden 9729 or Belden 9841 for DMX installation. Belden 9729/9841 is a two pair cable, which allows for a spare pair for 'out and back' type terminations if needed.

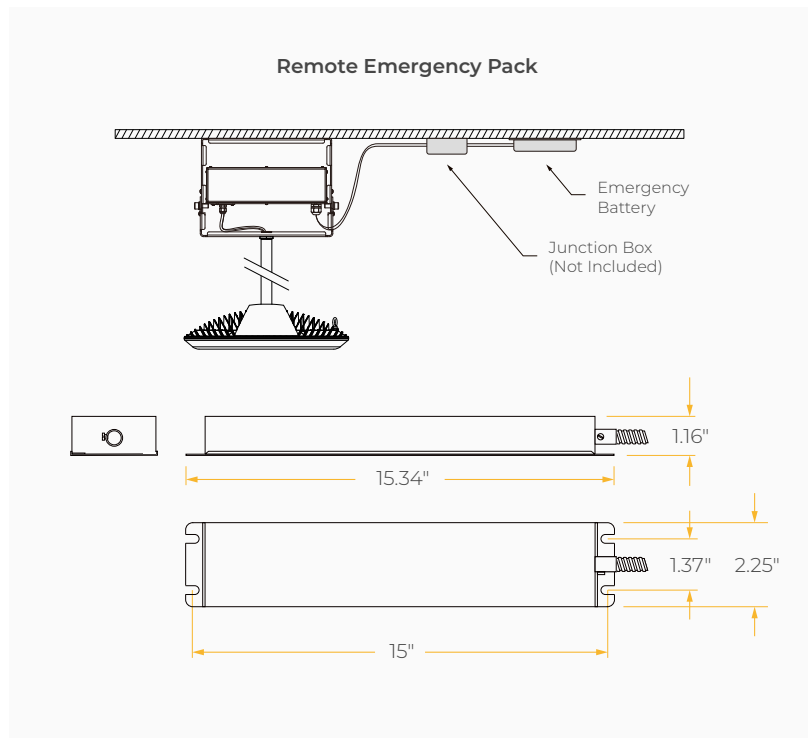
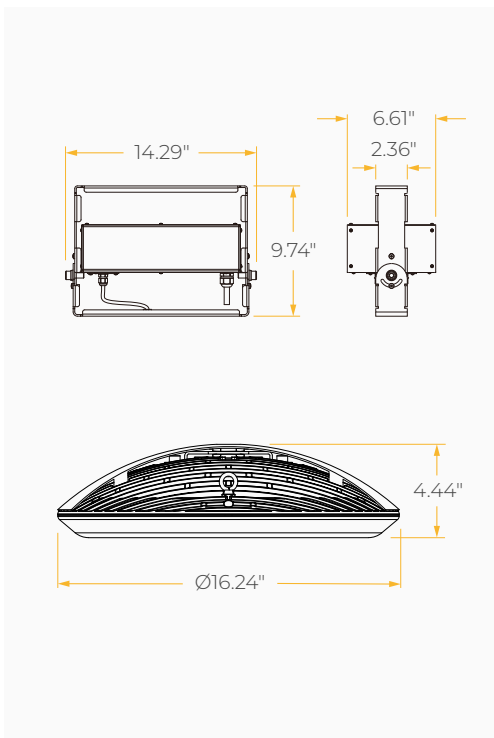
COMPATIBLE LTE DIMMER LIST

LUTRON PART NO.						
RRD-6NA-	RRT-G5NEW-	RRT-GH	HQRD-10ND-	HQRT-GH	HQRD-HN	PD-10NXD-
RRD-6ND	RRT-G25LW-	HQRD-6NA-	MRF2-6ND-120-	HQRT-G25LW-	GT-250M-	PD-5NE-
RRD-10ND-	RRD-HN	HQRD-6ND-	MRF2S-6ND-120-	HQRT-G5NEW-	GTJ-250M-	

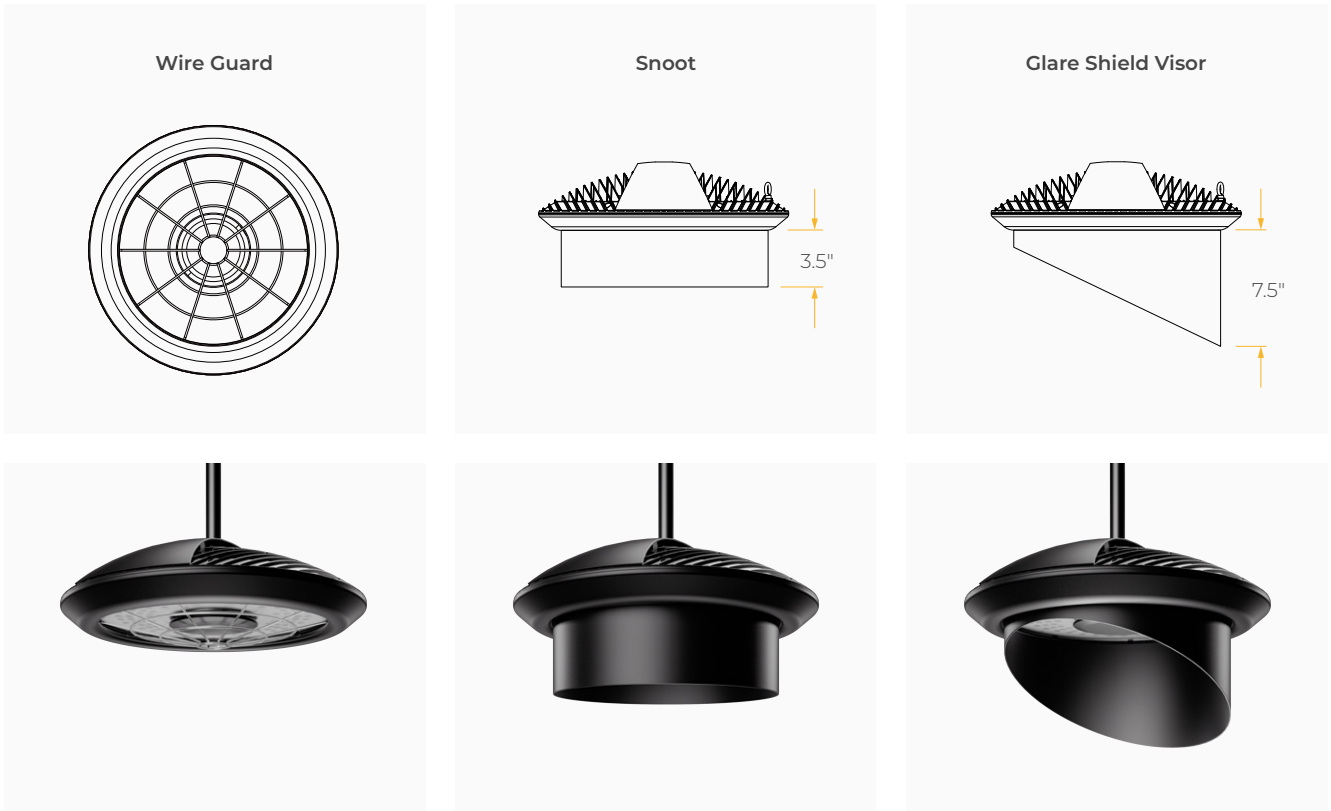
COMPATIBLE Lutron DIMMER LIST

LUTRON PART NO.						
RMJ-ECO32-DV-B	FCJ/FCJS-ECO	QSN-1ECO-S	QSN-2ECO-S	QSGRJ-_E	QSGR-_E	QP2-__2C
QP2-__4C	QP2-__6C	QP2-__8C	LQSE-2ECO-D			

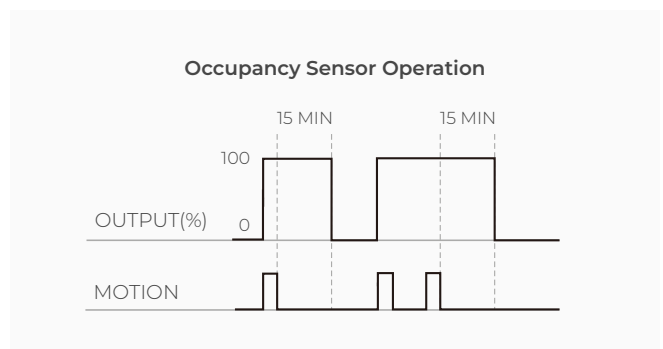
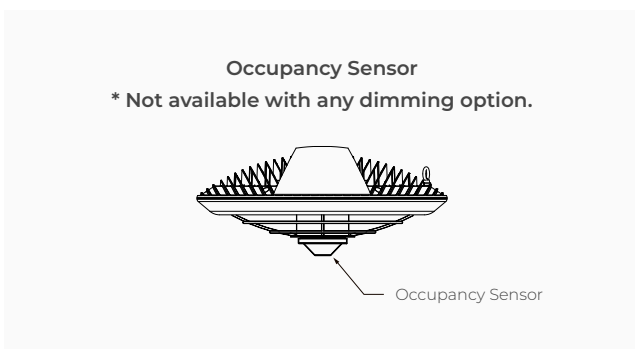
DIMENSIONS



ACCESSORY

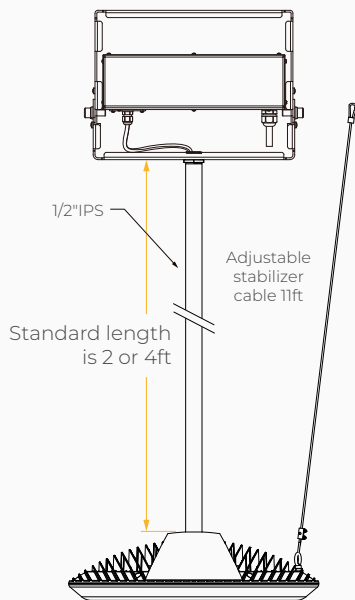


ACCESSORY

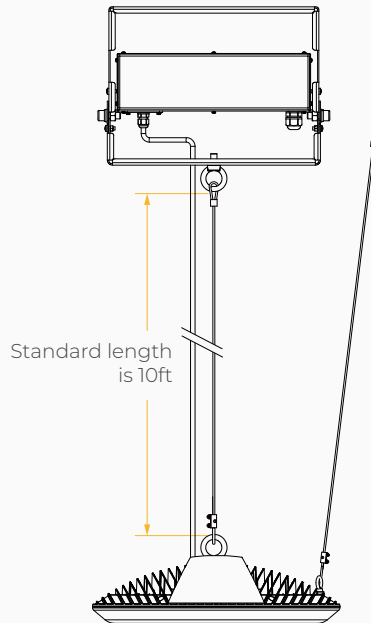


MOUNTING OPTIONS

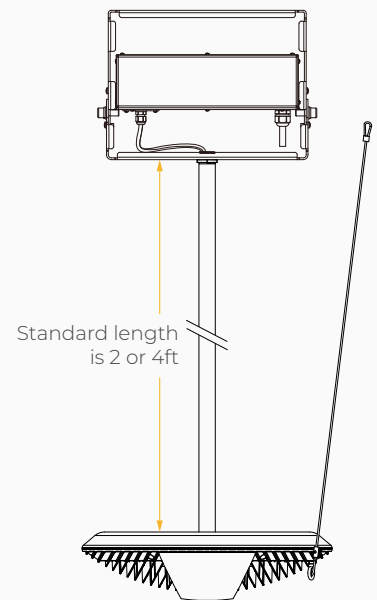
Stem Mount



Adjustable Aircraft Cable



Uplight Mount



**Adjustable Uplight
(45° Tilt on each side)**

